

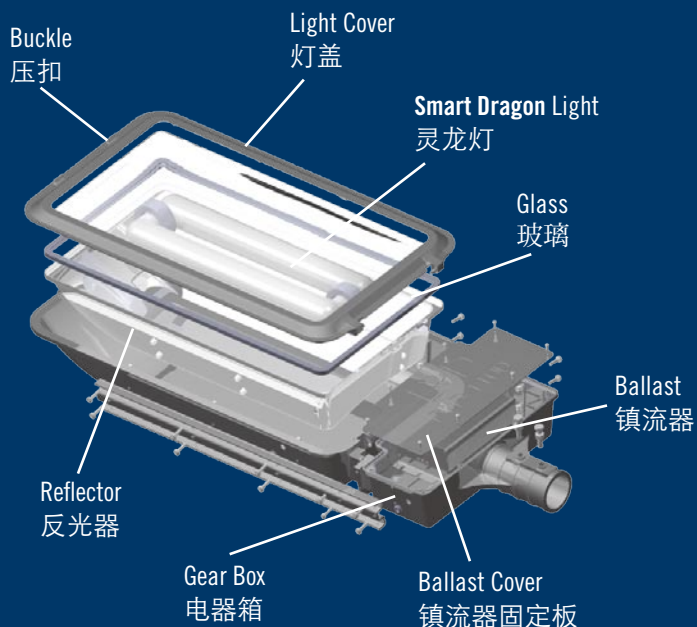


0612B Times Road Luminaire 新时代路灯

LVD Smart Dragon Lamp



LVD 灵龙系列光源配套



0612B Exploded View
分解图

Features 特点

The luminaire shade adopts Pyrex glass with high light transmission. 玻璃罩材料为耐热玻璃，透光性能好，光通量损失小。

Designed by the foreign expert, the reflector is extruded from pure aluminium board, the surface of vacuum plated metal results in more high luminaire efficiency in terms of its rational distributive curve.

反光器由国外专家设计，经纯铝板压制成型，表面真空镀膜，配光曲线合理，反射效率高。

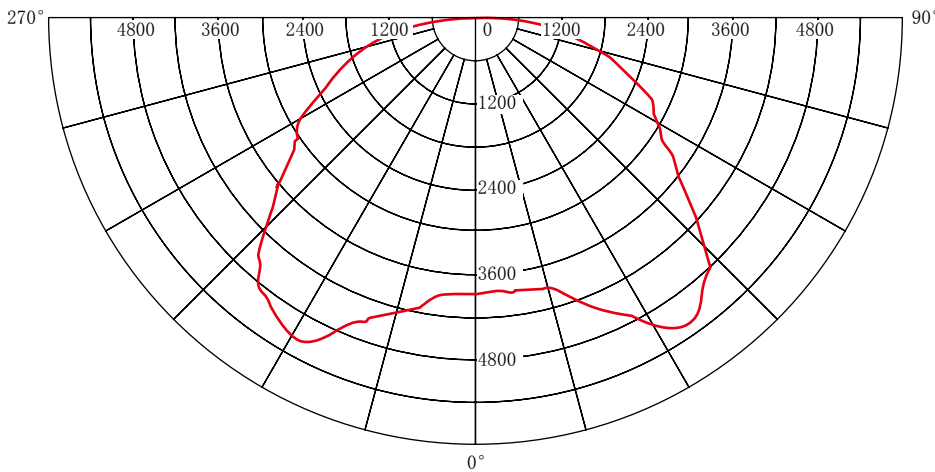
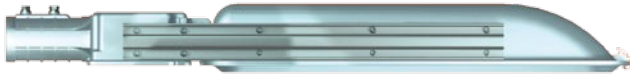
The luminaire shell, cover and the gear box are aluminium die-casting with powder coating, which is anti-corrosion and of great performance.

壳体、灯盖、镇流器箱体均为高压铝压铸，表面静电喷塑而成，抗腐蚀性能好。

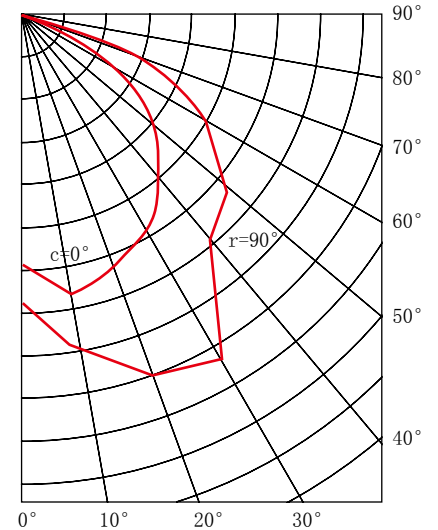
The structure is connected by the reflector and the lamp glass cover, which improves the dustproof performance. It can keep the dust and the insect out of the lamp shade in terms of its reasonable structure and reliable seal, the IP reaches 65 or above.

结构采用反光器与灯罩玻璃直接连接，增加密封性能，杜绝了灰尘与小虫等进入灯罩，使得结构更合理，密封更可靠，其防护等级可达IP65以上。

Photometrics 配光曲线

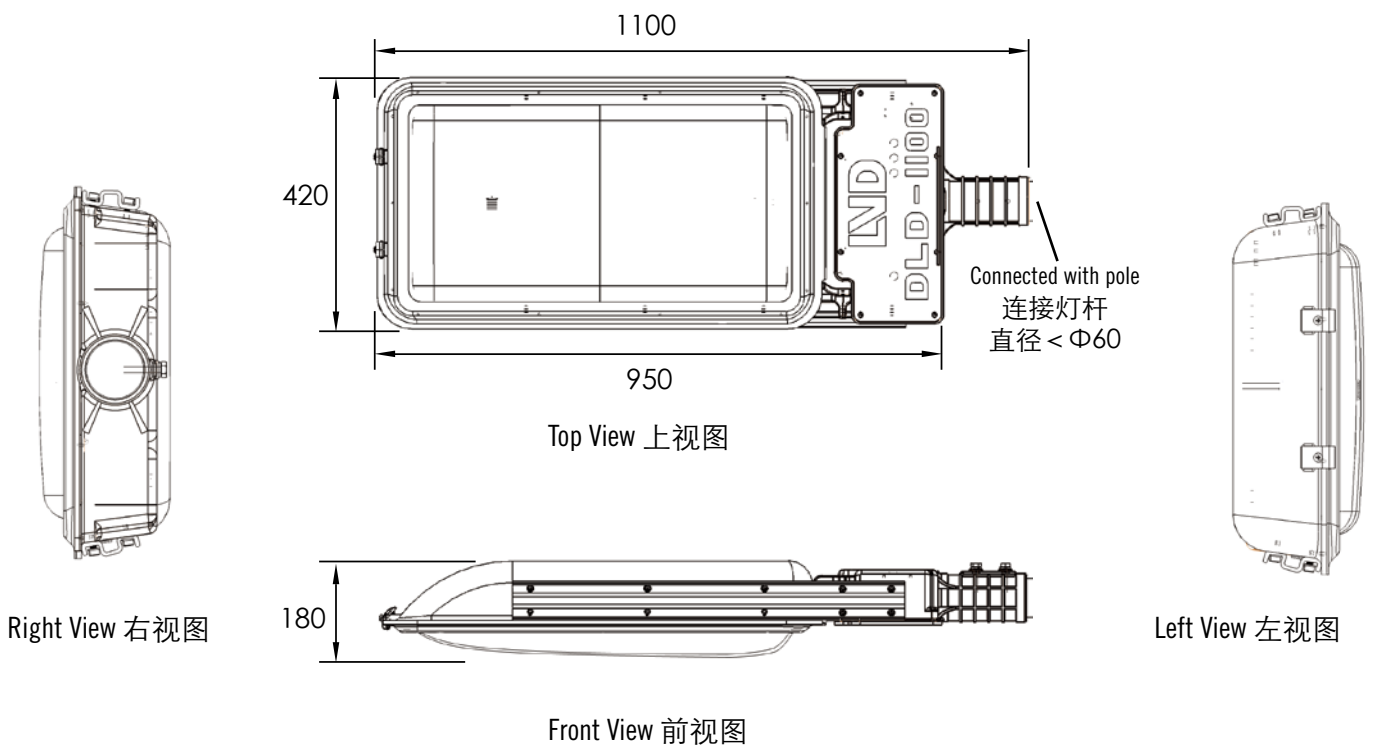


300W Smart Dragon Lamp
安装300W灵龙灯测得以上数据

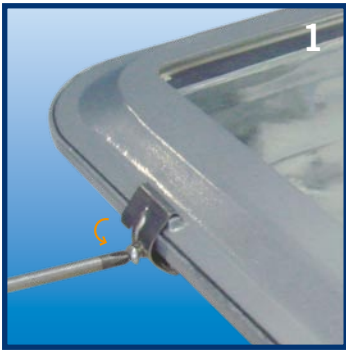


200W Smart Dragon Lamp
安装200W灵龙灯测得以上数据

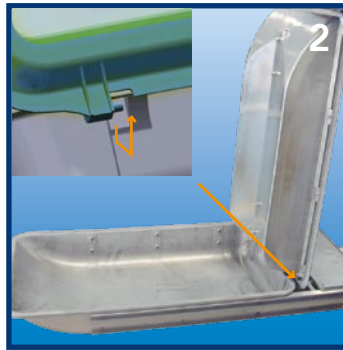
Dimensions 外形尺寸



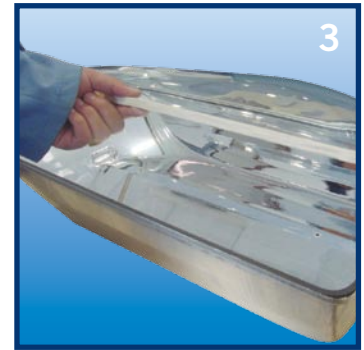
Lamp and Fixture Installation 光源与灯具安装



Demount the screw of the shell and open the clasp.
把壳体压扣的螺钉卸下并打开压扣。



The luminaire cover can be pulled out with the fall of the little axis after turning the cover up to 90° angle.
把灯盖向上翻至90°，然后向下脱出小轴，灯盖稍拉出后可以拿出。



Unscrew the glass shade and the board of the reflector, take out the reflector.
拧下玻璃罩和反光器压板，取出反光器。



Install the LVD lamp.
安装LVD无极灯。



Put the cover back to its original place, buckle the cover and the shell, screw the bolt.
灯盖按原样恢复后，将灯盖与壳体间的压扣压紧，并拧紧螺钉。



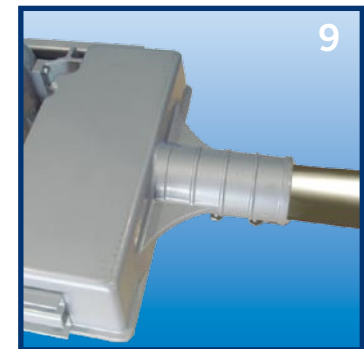
Open the plate of the gear box.
打开镇流器箱体上的盖板。



Feed the wire and insert the cantilever of lighting pole when keeping shade facing up.
保持灯盖朝上，穿入电源线，将灯杆连接杆穿入安装孔。



Press down the cable with cable plate, fasten the bolt after finishing the connection of the wire and covering the plate.
用电缆压板把电缆线压住，按要求接线并盖上盖板并把螺钉固定。



Turn the fixture around, fasten the bolt of the Lightpost installment hole, press down the lightpole and fasten the bolt.
翻转灯具，拧紧灯杆安装孔的螺栓，把灯杆压紧，并将螺栓上螺母拧紧。



Ordering Information 订购信息

Choose the options below the criteria that best suit your needs and write them above the corresponding criteria.
选择分类项下的最佳选项，以适应您的需求，然后标注在相应分类项上。

0612B Series Code 编号	LVD-DLD1100 Model 型号	Wattage 功率	Voltage 电压
0612B-LVD-DLD1100 Order Number 订购号码		150W	120V AC
		200W	220V AC
		300W	277V AC

Shanghai Hongyuan Lighting & Electric Equipment Co.Ltd.
 5028 Zhennan Road
 Shanghai 201802, China
 (86-21) 3912-0199
 (86-21) 5917-5240 fax
 www.lvdlamp.com

上海宏源照明电器有限公司
 上海市真南路5028号 201802
 (021) 5917-8179
 (021) 5912-3479 fax
 www.lvd.cc